

ORDER FORM / wheelchair

Completed and delivered sighting protocol is **binding order** for the production of mechanical KURY wheelchair. Please, fill out questionnaire legibly and carefully! In case of doubt, please contact your dealer or the manufacturer.

Product registration

Serial number	
Date of product shipping	

Dealer or user

Company			
Name			
Contact	address		
	country		
	e-mail	phone	
Other	user height (cm)	user weight (kg)	

User agrees with product parameters referred to in this order form questionnaire.
According to these parameters, the product will be entered into production.

Signature of user / dealer:

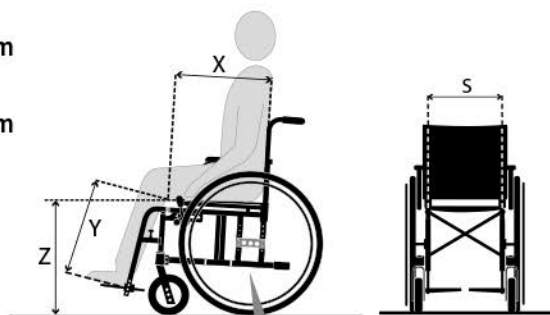
Questionnaire completed:	date	Output control:	date
	signature		signature

- ▲ basic equipment
- additional item with surcharge (see pricelist)

A Proportions

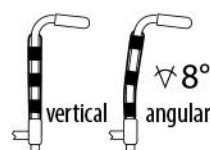
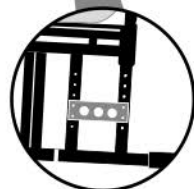
X: cm

Y: cm

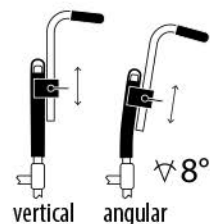


- rear wheel position in the holder (change the center of gravity)
- default position - „2“

K:
1 2 3



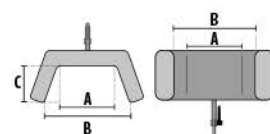
pic. 1
backrest FIXED



pic. 2
positioning (telescopic)
handles




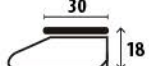





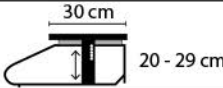
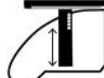

pic. 3
additional adjustable
headrest



1 FRAME		price
<input type="checkbox"/>	basic wheelchair frame	▲
<input type="checkbox"/>	extended wheelchair frame + 5 cm (for users of 185 cm high and more)	▲

2 SEAT (fabric kortexin; color - see part 3.3 - depends on the color of the backrest)		price	
2.1	width (S parameter)	<input type="checkbox"/> 36 <input type="checkbox"/> 38 <input type="checkbox"/> 40 <input type="checkbox"/> 42 <input type="checkbox"/> 45 <input type="checkbox"/> 47	▲
	depth (from X parameter)	<input type="checkbox"/> 36 <input type="checkbox"/> 38 <input type="checkbox"/> 40 <input type="checkbox"/> 42 <input type="checkbox"/> 45	▲
	seat height from the ground (Z parameter)	<input type="checkbox"/> 46 <input type="checkbox"/> 48 <input type="checkbox"/> 50 <input type="checkbox"/> 52	▲
2.2	<input type="checkbox"/> anti-decubitus anatomic pad	height: <input type="checkbox"/> 3 cm <input type="checkbox"/> 5 cm black color	○
2.3	<input type="checkbox"/> removable pocket (under seat)		○

3 BACKREST		price				
3.1	<input type="checkbox"/> fabric textile - with straps for multipoint adjustment of backrest stiffness (color see 3.3)	▲				
	<input type="checkbox"/> positioning - allows tilting of back in four angles: 10°, 20°, 30° and 40° - with E 04M mudguards with extendable handle only (see box 4)	○				
	<input type="checkbox"/> anatomic - (fill special order form >>)					
3.2	type of backrest	support tube	height of textile parts	price		
	<input type="checkbox"/> fixed (see pic. 1/ part A)	<input type="checkbox"/> vertical	26 28 30 32 34 36 38 40 42 45	▲		
		<input type="checkbox"/> angular	<input type="checkbox"/> <input type="checkbox"/> <input type="checkbox"/> <input type="checkbox"/> <input type="checkbox"/> <input type="checkbox"/> <input type="checkbox"/> <input type="checkbox"/> <input type="checkbox"/> <input type="checkbox"/>			
	<input type="checkbox"/> positioning handles (see pic. 2/ part A)	<input type="checkbox"/> vertical	26 28 30 32 34 36 38 40 42 45	○		
		<input type="checkbox"/> angular	<input type="checkbox"/> <input type="checkbox"/> <input type="checkbox"/> <input type="checkbox"/> <input type="checkbox"/> <input type="checkbox"/> <input type="checkbox"/> <input type="checkbox"/> <input type="checkbox"/> <input type="checkbox"/>			
		body height of accompanist/assistant <input type="checkbox"/> up to 170 cm <input type="checkbox"/> more than 170 cm				
3.3	fabric color backrest + seat (according to part 3.1)	kortexin:	<input type="checkbox"/> black <input type="checkbox"/> dark grey <input type="checkbox"/> yellow <input type="checkbox"/> red <input type="checkbox"/> violet <input type="checkbox"/> blue <input type="checkbox"/> dark green	▲		
3.4	<input type="checkbox"/> textile back pocket - 30 (w) x 20 (h) x 2 (d) cm - with multipoint textile backrest only (see 3.1)			○		
3.5	<input type="checkbox"/> additional adjustable headrest (see pic. 3/ part A)	headrest (upholstered, TEBOX fabric)	<input type="checkbox"/> small A = 130, B = 210	<input type="checkbox"/> small depth C = 50 mm	<input type="checkbox"/> big depth C = 100 mm	○
			<input type="checkbox"/> large A = 170, B = 250	<input type="checkbox"/> small depth C = 50 mm	<input type="checkbox"/> big depth C = 100 mm	
		hem color	<input type="checkbox"/> black <input type="checkbox"/> grey			
		adjustable and fixing system of headrest (rack)				○

4 ARMRESTS				price
<input type="checkbox"/> hinged				▲
<input type="checkbox"/> E 01 long 	<input type="checkbox"/> E 02 low 	<input type="checkbox"/> E 03 high 	<input type="checkbox"/> E 04 mudguards ABS PLASTIC non hinged	▲
<input type="checkbox"/> E 05 long 	<input type="checkbox"/> E 06 long 	<input type="checkbox"/> E 07 low 	<input type="checkbox"/> E 08 high 	
<input type="checkbox"/> E 02M low with extendable handle 				○
<input type="checkbox"/> E 04M mudguards with extendable handle 		non hinged		○
<input type="checkbox"/> E 04 mudguards CARBON 		non hinged		○

5 COLOUR FRAME PARTS				price		
5.1 frame color	<input type="checkbox"/> basic RAL (see swatch)	<input type="checkbox"/> (1) glossy white	<input type="checkbox"/> (24) white matt	▲		
		<input type="checkbox"/> (2) yellow	<input type="checkbox"/> (3) red			
- frame sides constructions	<input type="checkbox"/> metallic (see swatch)	<input type="checkbox"/> (4) ruby	<input type="checkbox"/> (5) light violet	<input type="checkbox"/> (6) violet	○	
		<input type="checkbox"/> (7) dark violet	<input type="checkbox"/> (8) light blue	<input type="checkbox"/> (9) dark blue		<input type="checkbox"/> (10) turquoise
		<input type="checkbox"/> (11) light green	<input type="checkbox"/> (12) green	<input type="checkbox"/> (13) black		
		<input type="checkbox"/> (15) violet	<input type="checkbox"/> (16) blue	<input type="checkbox"/> (17) red		<input type="checkbox"/> (18) anthracit
		<input type="checkbox"/> (19) turquoise	<input type="checkbox"/> (20) silver	<input type="checkbox"/> (21) light green		<input type="checkbox"/> (22) yellow
5.2 set of colored parts - elox		rear whl holders + front whl forks + brake levers		pair		
<input type="checkbox"/> black <input type="checkbox"/> silver <input type="checkbox"/> blue <input type="checkbox"/> red <input type="checkbox"/> orange <input type="checkbox"/> gold <input type="checkbox"/> yellow-green				○		

6 FOOTREST / FOOTPLATE				price		
6.1	<input type="checkbox"/> one-piece footplate	<input type="checkbox"/> angle 90° <input type="checkbox"/> angle 100°	Angle can be changed.	side tube of footrest	<input type="checkbox"/> short (according to parameter Y - from 36 to 42 cm)	▲
	<input type="checkbox"/> two-piece footplate (from width 40 cm only - S paramet.)	<input type="checkbox"/> changeless an. 90° <input type="checkbox"/> changeless an. 100°			<input type="checkbox"/> long (according to parameter Y - from 44 to 52 cm)	▲
6.2	<input type="checkbox"/> leg support belt	<input type="checkbox"/> textile <input type="checkbox"/> leather				▲ ○


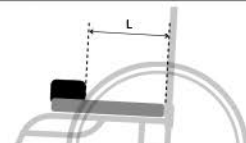
7 FRONT WHEELS				price
wheel rim	sign / size (mm)	color		pair
<input type="checkbox"/> plastic	<input type="checkbox"/> PU 100	black	polyurethane tires: <input type="checkbox"/> grey <input type="checkbox"/> black	▲
	<input type="checkbox"/> PU 125	black	polyurethane tires: <input type="checkbox"/> grey <input type="checkbox"/> black	
	<input type="checkbox"/> PU 150	black	polyurethane tires: <input type="checkbox"/> grey <input type="checkbox"/> black	
	<input type="checkbox"/> PU 175	black	polyurethane tires: <input type="checkbox"/> grey <input type="checkbox"/> black	
<input type="checkbox"/> aluminium	<input type="checkbox"/> ALPU 100 x 32	★	silver	○
	<input type="checkbox"/> ALPU 100 x 32 C	★	<input type="checkbox"/> black <input type="checkbox"/> blue <input type="checkbox"/> red <input type="checkbox"/> orange <input type="checkbox"/> gold <input type="checkbox"/> yellow-green	○
	<input type="checkbox"/> ALPU 125 x 32	★	silver	○
	<input type="checkbox"/> ALPU 125 x 32 C	★	<input type="checkbox"/> black <input type="checkbox"/> blue <input type="checkbox"/> red <input type="checkbox"/> orange <input type="checkbox"/> gold <input type="checkbox"/> yellow-green	○
	<input type="checkbox"/> ALPU 100 x 35	△	silver	○
	<input type="checkbox"/> ALPU 100 x 35 C	△	<input type="checkbox"/> black <input type="checkbox"/> blue <input type="checkbox"/> red <input type="checkbox"/> gold	○
	<input type="checkbox"/> ALPU 125 x 35	△	<input type="checkbox"/> silver <input type="checkbox"/> silver matt	○
	<input type="checkbox"/> ALPU 125 x 35 C	△	<input type="checkbox"/> black <input type="checkbox"/> blue <input type="checkbox"/> red <input type="checkbox"/> gold	○

★ five-spoke rim - Recommended with color set of parts (see 5.2 and 8.2).

△ three-spoke rim - Recommended to combine with black parts only (see 5.2 and 8.2).

▲ - basic equipment ○ - additional item with surcharge (see pricelist)

8 REAR WHEELS					price	
8.1 rear whl axis angle		<input type="checkbox"/> 0° <input type="checkbox"/> 4°			▲	
8.2 whl type	specification	size	tire	spoke	pair	
<input type="checkbox"/> Dynamic COLOR KARBON LOOK (hub + whl rim)	double rim hard anodized surface handrim dist. 15 mm	24 x 1"	Schwalbe MPE (Marathon Plus Evolution)	<input type="checkbox"/> white	○	
<input type="checkbox"/> Dynamic COLOR BLACK (hub + whl rim)	double rim hard anodized surface handrim dist. 15 mm			<input type="checkbox"/> black <input type="checkbox"/> red <input type="checkbox"/> blue <input type="checkbox"/> gold <input type="checkbox"/> orange <input type="checkbox"/> yellow-green		
<input type="checkbox"/> Dynamic DYS	double rim hard anodized surface handrim dist. 15 mm	24 x 1"	Schwalbe MPE (Marathon Plus Evolution)		○	
<input type="checkbox"/> Cross	double rim black anodized surface handrim dist. 15 mm	24 x 1,90"	Schwalbe Roadcruiser		○	
<input type="checkbox"/> Energy	double rim hard anodized surface handrim dist. 15 mm	24 x 1"	Schwalbe MPE (Marathon Plus Evolution)		○	
<input type="checkbox"/> Country	double rim black anodized surface handrim dist. 15 mm	24 x 1,95"	hrubý vzorek / outdoor		○	
<input type="checkbox"/> Ultralight BE MPE	double rim white anodized surface handrim see 8.3	24 x 1"	Schwalbe MPE (Marathon Plus Evolution)		○	
<input type="checkbox"/> Ultralight BE	double rim white anodized surface handrim see 8.3	24 x 1"	<input type="checkbox"/> ultralight grey		○	
			<input type="checkbox"/> Schwalbe Right Run	<input type="checkbox"/> black-grey	○	
				<input type="checkbox"/> black-blue	○	
				<input type="checkbox"/> black-red	○	
				<input type="checkbox"/> black-yellow	○	
<input type="checkbox"/> standard	<input type="checkbox"/> silver simple rim handrim see 8.3	<input type="checkbox"/> 24 x 1"	polyurethane tires	<input type="checkbox"/> black <input type="checkbox"/> grey	36 zinc spokes	○
		<input type="checkbox"/> 24 x 13/8"		<input type="checkbox"/> black <input type="checkbox"/> grey		○
		<input type="checkbox"/> 24 x 1"	PNEU			▲
		<input type="checkbox"/> 24 x 13/8"				
	<input type="checkbox"/> black simple rim handrim see 8.3	<input type="checkbox"/> 24 x 1"	polyurethane tires	<input type="checkbox"/> black <input type="checkbox"/> grey	24 stainless spokes	○
		<input type="checkbox"/> 24 x 13/8"		<input type="checkbox"/> black <input type="checkbox"/> grey		○
		<input type="checkbox"/> 24 x 1"	PNEU			▲
		<input type="checkbox"/> 24 x 13/8"				
8.3 handrim	handrim distance from wheel (mm) - distance can be changed				pair	
<input type="checkbox"/> smooth aluminium	<input type="checkbox"/> 15 <input type="checkbox"/> 20				▲	
<input type="checkbox"/> hard anodized	<input type="checkbox"/> 15 <input type="checkbox"/> 20				○	
<input type="checkbox"/> rubber coating	<input type="checkbox"/> 15 <input type="checkbox"/> 20				○	
<input type="checkbox"/> smooth stainless	<input type="checkbox"/> 15 <input type="checkbox"/> 20				○	
<input type="checkbox"/> 8 tabs	<input type="checkbox"/> 15 <input type="checkbox"/> 20 (!) with standard rim only (see 8.2)				○	
<input type="checkbox"/> 12 tabs	<input type="checkbox"/> 15 <input type="checkbox"/> 20 (!) with standard rim only (see 8.2)				○	
8.4	<input type="checkbox"/> one hand rear wheel control		<input type="checkbox"/> right wheel <input type="checkbox"/> left wheel		○	

9 ACCESSORIES				price		
9.1	<input type="checkbox"/>	leg support double belt (front and back) - adjustable, w. 45 mm		○		
		<input type="checkbox"/>	leather			
		<input type="checkbox"/>	textile			
	<input type="checkbox"/>	backward roll-over prevention support		○		
	<input type="checkbox"/>	brakes for accompanist / assistant		○		
	<input type="checkbox"/>	compact brakes		○		
	<input type="checkbox"/>	carbon plug of front fork (pair)		○		
<input type="checkbox"/>	pump with clips		○			
<input type="checkbox"/>	rear wheels handrim covers (pair)		○			
9.2	<input type="checkbox"/>	rear wheel guards		pair		
<input type="checkbox"/>	basic	<input type="checkbox"/> white	<input type="checkbox"/> transparent	<input type="checkbox"/> black	○	
<input type="checkbox"/>	designed (see swatch)	<input type="checkbox"/> rings	<input type="checkbox"/> night	<input type="checkbox"/> purple spiral	<input type="checkbox"/> flower I	○
		<input type="checkbox"/> wheel	<input type="checkbox"/> eyes	<input type="checkbox"/> blue spiral	<input type="checkbox"/> flower II	
		<input type="checkbox"/> red-blue cascade		<input type="checkbox"/> turquoise cascade		
9.3	Fixing and positioning accessories (see current offer)		approximate dimensions (cm)			
<input type="checkbox"/>	AD10	abdominal fixing belt	universal size: (h) 8, (w) 48		○	
<input type="checkbox"/>	AD11	abdominal fixing belt for chair	<input type="checkbox"/> size 0: (h)12, (w) 40	<input type="checkbox"/> vel. 1: (h)16, (w) 54	○	
<input type="checkbox"/>	AD11E	abdominal fixing belt thin	universal size: (h)12, (w)54		○	
<input type="checkbox"/>	AD12	perineal fixing belt for chair	<input type="checkbox"/> size 0: (h)12, (w) 40	<input type="checkbox"/> size 1: (h)16, (w) 54	○	
<input type="checkbox"/>	AD13	fixing belt for chair (torso)	<input type="checkbox"/> size 0: (h)12, (w) 40	<input type="checkbox"/> size 1: (h)16, (w) 54	○	
<input type="checkbox"/>	AD14	fixing belt for chair (torso and pelvis)	<input type="checkbox"/> size 0: (h)12, (w) 40	<input type="checkbox"/> size 1: (h)16, (w) 54	○	
<input type="checkbox"/>	ADX23	shoulder harness	<input type="checkbox"/> size 0: (h) 27	<input type="checkbox"/> size 1: (h) 33	○	
<input type="checkbox"/>	ADX30	abduction support			○	
9.4	<input type="checkbox"/>	abductor wedge	<input type="checkbox"/> small (w. 45 x d. 140 x h. 100)	<input type="checkbox"/> large (w. 85 x d. 160 x h. 120)	○	
		distance (L):	mm			

NOTES FOR PRODUCTION

▲ - basic equipment ○ - additional item with surcharge (see pricelist)

Reset form

Save form

Print form